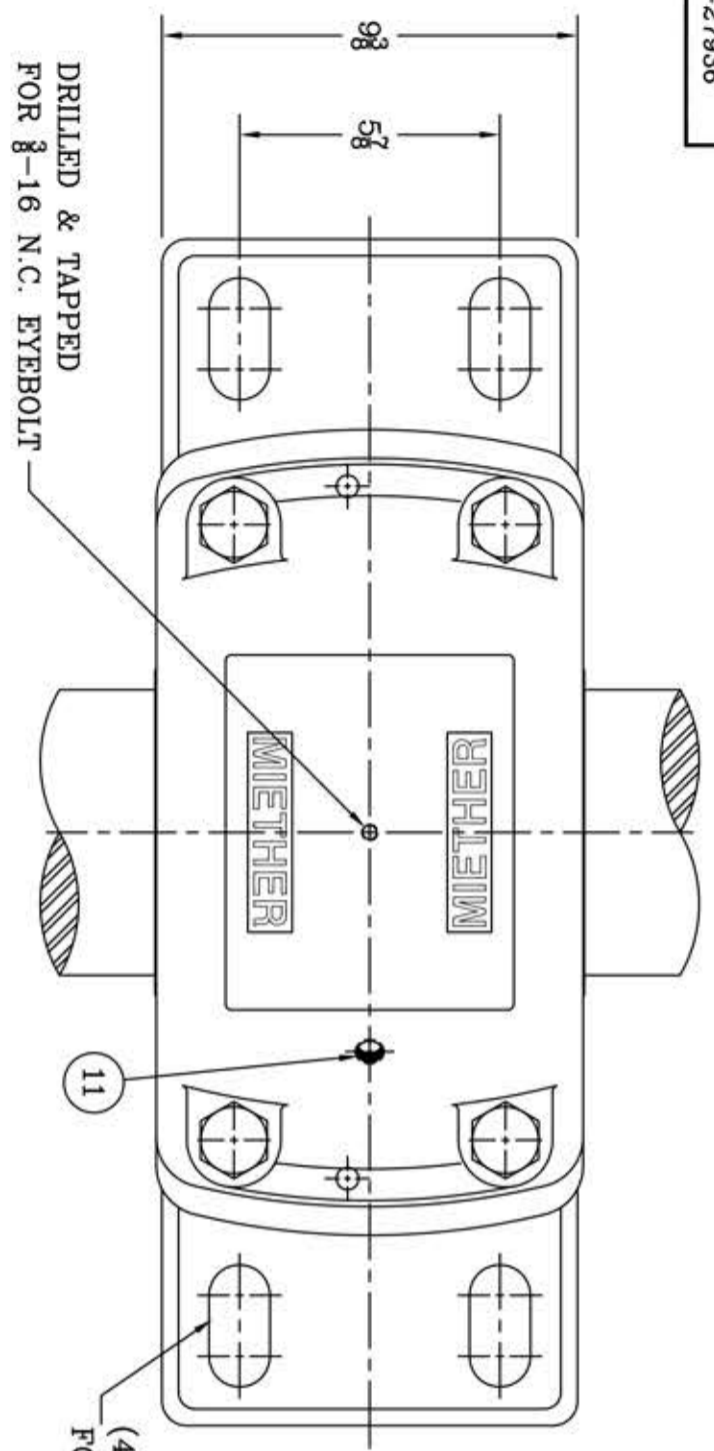


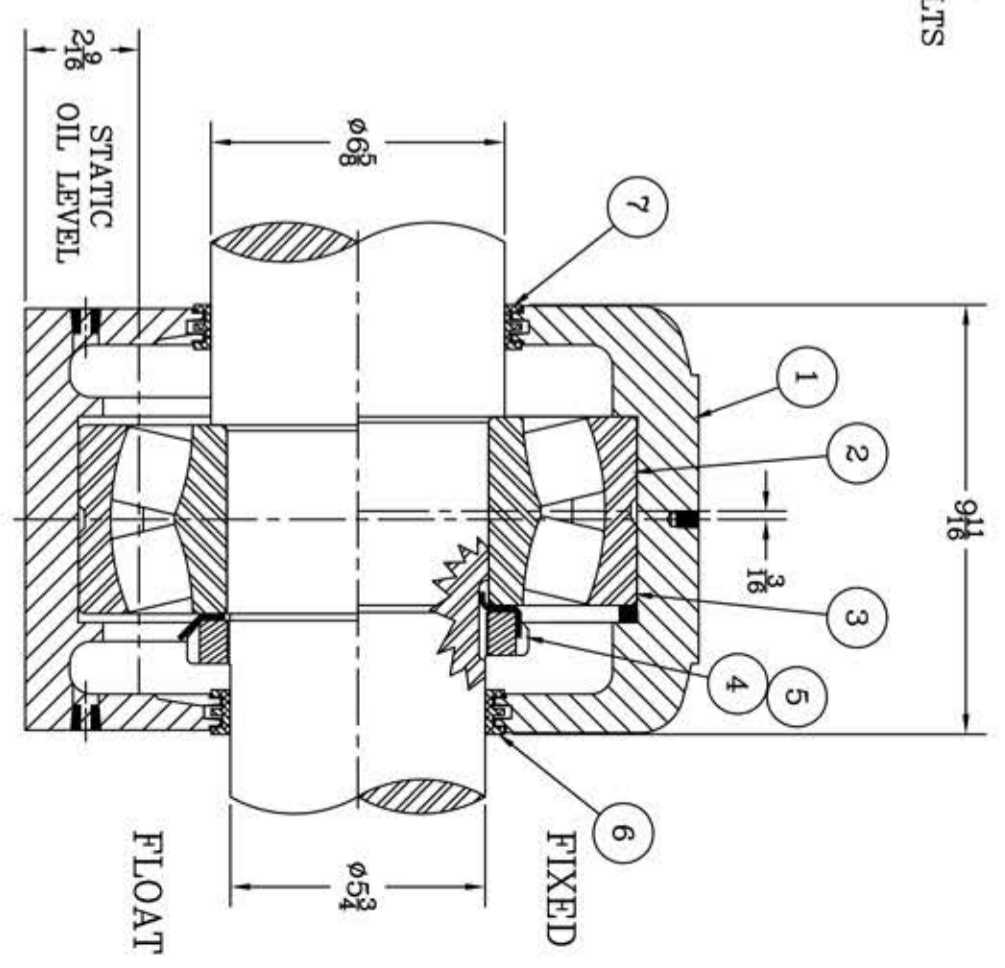
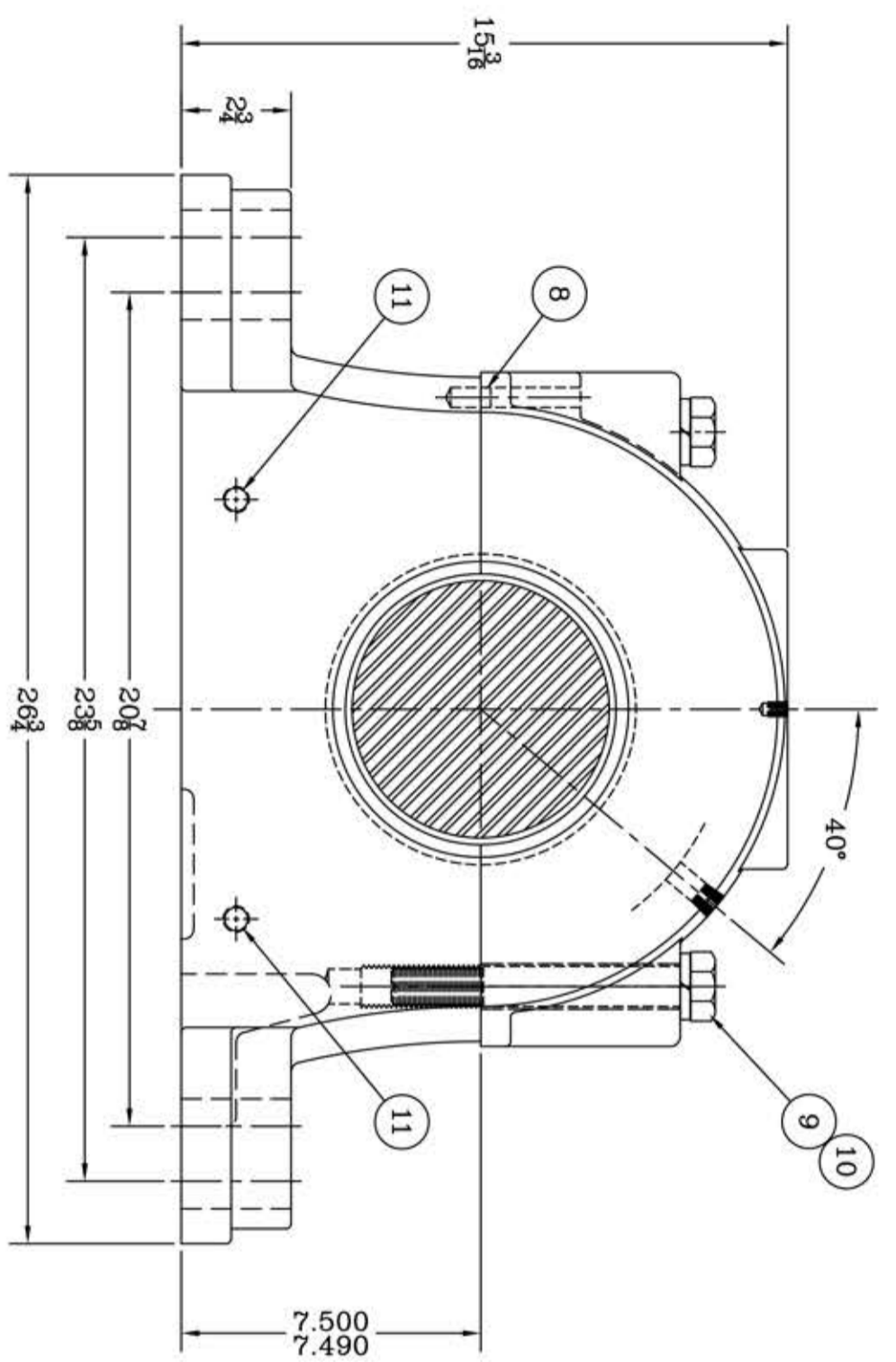
This drawing is the sole property of Miether Bearing Products and contains confidential and proprietary information. It is being provided to you for your use and may not be disclosed to any third party or used for any other purpose without Miether's prior written consent. The [materials] must be returned to the Company upon its demand. Your acceptance of these materials constitutes your acceptance of the foregoing terms.

C-27936



(4) CORED HOLES FOR  $\phi 1\frac{1}{4}$  BASE BOLTS

ITEM	DESCRIPTION	DETAIL	REQUIRED
1	HOUSING SDAF 330	C-26018-R	1 1
2	SPHERICAL ROLLER BEARING	22230/W-33	1 1
3	STABILIZING RING	SR-36-30 A-10610	1 0
4	LOCKNUT	AN-30 B-10419	1 1
5	LOCKWASHER	W-30 00249	1 1
6	TRIPLE SEAL RING	LER-134 A-10621	1 1
7	TRIPLE SEAL RING	LER-151 A-10620	1 1
8	DOWEL	$\phi 2$ x 1" LONG	2 2
9	CAP BOLT HEX. HEAD	1-8 NC x $7\frac{1}{2}$ LONG	4 4
10	LOCKWASHER	1" SPLIT MED.	4 4
11	PIPE PLUG	$\frac{3}{8}$ -18 NPT	5 5



REDRAWN FOR CONFORMITY  
RWB per KAB  
8-19-04

REVISIONS

SYMBOL	DESCRIPTION
C	CHANGES
D	DESIGN CHANGES
E	ENGINEERING CHANGES
F	FIELD CHANGES
G	GENERAL CHANGES
J	JOB CHANGES
K	REVISIONS

TOLERANCE: UNLESS OTHERWISE SPECIFIED

FRACTIONS  $\pm 1/32$  ANGLES  $\pm 0^{\circ} 30'$

DECIMALS  $\pm .005$  WELD  $\pm 1/16$

CASTING  $\pm 1/16$

A.I.S.I. STANDARD FINISHES

MICRO-INCH VALUE

16 32 63 125 250 500 1000



SDAF 22330	06-10 x 05-12
ASSEMBLY DRAWING	
SCALE 1 = 3	ASSEMBLY NO.
DRAWN OMI	DRAWING NO.
DATE 4/18/94	C-27936
CHK:	

ODESSA, TX USA